

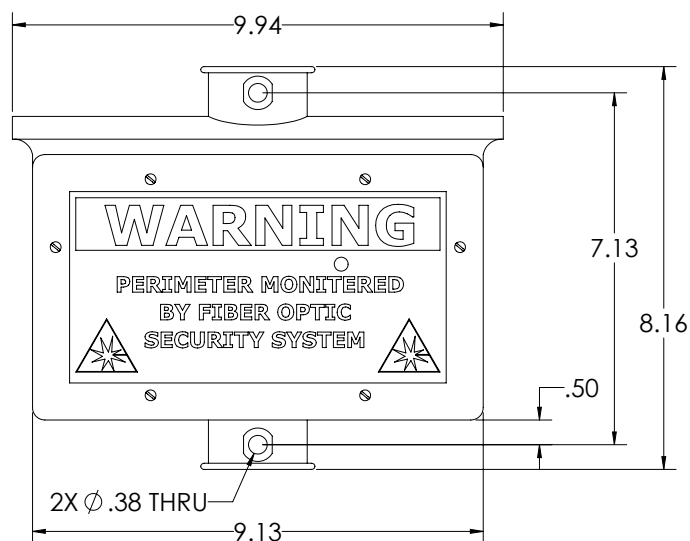
# MOUSE TRIP SENSOR OMS-MT



Mouse Trip Sensors are designed to be mounted to the fence line and operate with 9/125 $\mu$ m sensing fiber. When tripped, an internal plunger creates a loss of light which is recognized by the Zoning Control Unit and activates an alarm. Mouse Trip Sensors are water resistant, dust proof, UV protected, and are designed to withstand extreme temperature fluctuations for dependable performance during extended deployment in harsh weather environments.

All Mouse Trip Sensors come equipped with a reset feature that allows for quick resetting using a special tool (included) without having to open the Unit.

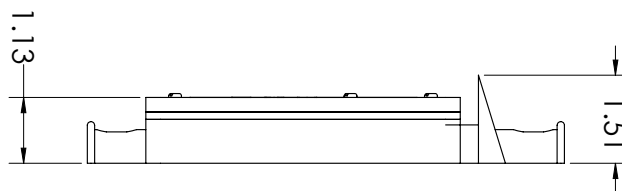
The Mouse Trip Sensor requires minimal maintenance throughout its service life, and once installed will provide many years of reliable protection.



**FRONT VIEW**

## KEY FEATURES

- UV Protected
- No Power Supply Required
- Compact and Lightweight
- Multiple Mounting Configurations
- Quick Resettable Version Also Available
- 8dB Dynamic Range



**SIDE VIEW**

## SPECIFICATIONS

<b>Materials</b>	UV Protected ABS
<b>Operating Temperature</b>	-20°C to 60°C (-68°F to +140°F)
<b>Power Requirements</b>	None
<b>Dimensions</b>	9.75" L X 3.1" W X 6.00" H
<b>Fiber Type</b>	9/125 $\mu$ m
<b>Mounting Type</b>	Pole, Wall (Concrete or Brick)