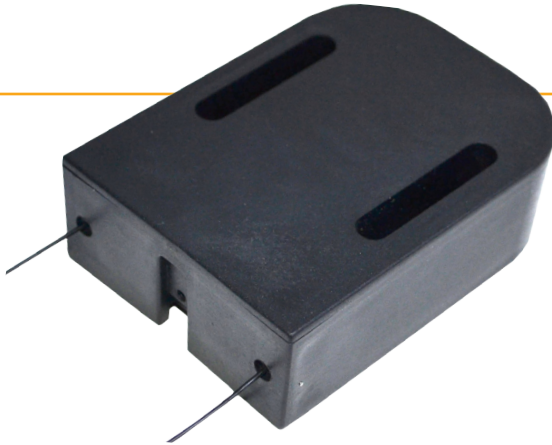


OPTI-MAG SENSOR OMS-PRX

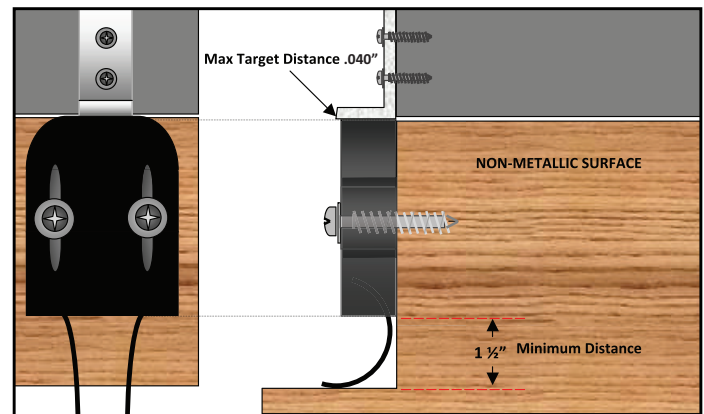
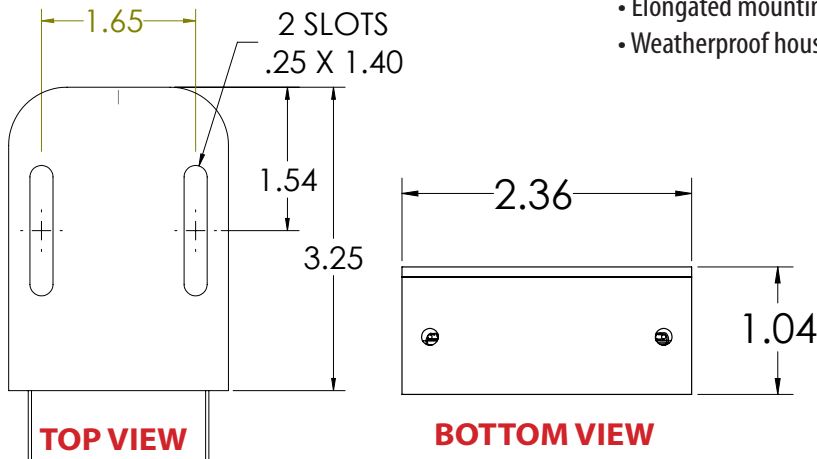


Opti-Mag Sensors use fiber optic based technology that allows sensing in locations that can extend for miles. They require no electrical power at the sensor location, making them extremely useful in remote areas where there is often no electrical service. They can also be used in flammable environments where electrical arcing (sparking) is prohibited. Being that there are no external moving parts, Opti-Mag Sensors have a long, reliable sensing life. The Opti-Mag Sensor does not require being in direct contact with the surface it is sensing.



KEY FEATURES

- Impact resistant plastic housing, stainless steel spring and nickel/copper/nickel triple coated NdFeB permanent magnet for maximum longevity
- Spark-Free sensing device
- Fiber optic based and requires no electrical power
- Long range sensing capability
- Has no external moving parts, eliminating failure due to corrosion or mud buildup
- Sensor trips in <0.5 seconds, provides an instant alarm and location within seconds
- Elongated mounting slots for flexible mounting options
- Weatherproof housing, suitable for use in damp or water-splash environments



Magnet/bracket assembly **PN: OMS-MBRKASSY** may be used on sensing metal to increase sensing distance.

SPECIFICATIONS

Fiber Type	9/125, 900µm UV Resistant Jacket
Operating Temperature	-30°C to +63°C (-22°F to +145°F)
Minium Ferrous Metal Target	2" x 2" x 1/8" thick
Dimensions	3.250"H x 2.375"W x 1.125"D
Weight	6.0 ounces
Maximum Target Distance	0.04 inches
Durability (with out magnet)	5000 cycles
Housing Material (designed for intermintent sensing)	Glass Filled ABS
Attenuation	1dB